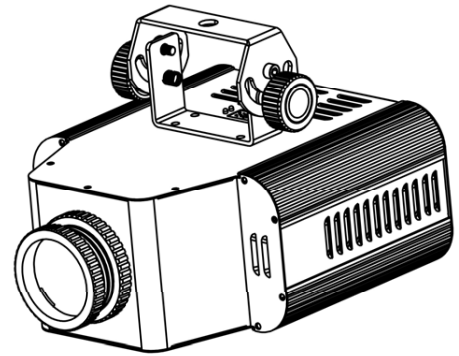


**ACME<sup>®</sup>**



**DELUGE**

**LED-WAV-50W**

**User Manual**

Please read the instructions carefully before use

**Innovation, Quality, Performance**

particularly dirty surrounding can cause greater accumulation of dirt on the fixture's optics.

- Clean with soft cloth using normal glass cleaning fluid.
- Always dry the parts carefully.
- Clean the external optics at least every 20 days. Clean the internal optics at least every 30/60 days.

5. 3 pin XLR connectors are more popular than 5 pins XLR.  
 3 pin XLR: Pin 1: GND, Pin 2: Negative signal (-), Pin 3: Positive signal (+)  
 5 pin XLR: Pin 1: GND, Pin 2: Negative signal (-), Pin 3: Positive signal (+),  
 Pin4/5: not used

## **7. Troubleshooting**

Following are a few common problems that may occur during operation. Here are some suggestions for easy troubleshooting:

### **A. The fixture does not work, no light**

1. Check the connection of power and main fuse.
2. Measure the mains voltage on the main connector.

### **B. Not responding to DMX controller**

1. DMX LED should be on. If not, check DMX connectors, cables to see if link properly.
2. If the DMX LED is on and no response to the channel, check the address settings and DMX polarity.
3. If you have intermittent DMX signal problems, check the pins on connectors or on PCB of the fixture or the previous one.
4. Try to use another DMX controller.
5. Check if the DMX cables run near or run alongside to high voltage cables that may cause damage or interference to DMX interface circuit.

### **C. Some fixtures don't respond to the easy controller**

1. You may have a break in the DMX cabling. Check the LED for the response of the master/ slave mode signal.
2. Wrong DMX address in the fixture. Set the proper address.

### **D. No response to the sound**

1. Make sure the fixture does not receive DMX signal.
2. Check microphone to see if it is good by tapping the microphone.

### **E. One of the channels is not working well**

1. The stepper motor might be damaged or the cable connected to the PCB is broken.
2. The motor's drive IC on the PCB might be out of condition.

## **8. Fixture Cleaning**

The cleaning of internal must be carried out periodically to optimize light output. Cleaning frequency depends on the environment in which the fixture operates: damp, smoky or

## **TABLE OF CONTENTS**

1. Safety Instructions
2. Technical Specifications
3. How To Set The Fixture
4. How To Control The Fixture
5. DMX 512 Configuration
6. DMX 512 Connections
7. Troubleshooting
8. Fixture Cleaning

## 1. Safety Introductions



WARNING

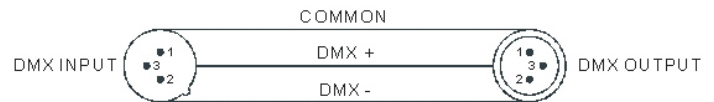
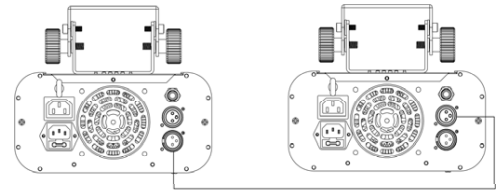
Please read the instructions carefully which includes important information about the installation, operation and maintenance.

- Please keep this User Guide for future consultation. If you sell the unit to another user, be sure that they also receive this instruction booklet.
- All fixtures are intact from the manufacturer, please operate follow up the user manual, artificial fault are not under guarantee repair.
- Unpack and check carefully that there is no transportation damage before using the unit.
- The unit is for indoor use only. Use only in a dry location.
- Do install and operate by operator.
- Use safety chain when fixes the unit. Don't handle the unit by taking its head only, but always by taking its base.
- The unit must be installed in a location with adequate ventilation, at least 50cm from adjacent surfaces.
- Be sure that no ventilation slots are blocked, otherwise the unit will be overheated.
- Before operating, ensure that the voltage and frequency of power supply match the power requirements of the unit.
- It's important to ground the yellow/green conductor to earth in order to avoid electric shock.
- Maximum ambient temperature TA : 40°C. Don't operate it where the temperature is higher than this.
- Don't connect the device to any dimmer pack.
- First run, there will be smoke or smells, and all disappearing a few minutes later.
- Make sure there are no flammable materials close to the unit while operating, as it is fire hazard.
- Look over power wires carefully, replace immediately if there is any damage.
- Never run on for a long time lest shortening lifespan.
- Avoid any inflammable liquids, water or metal objects entering the unit. Once it happen, cut off the mains power immediately.
- Do not operate in dirty and dusty environment, also cleaning fixtures regularly.

3A

## 6. DMX512 Connections

The DMX512 is widely used in intelligent lighting control, with a maximum of 512 channels.



**Termination reduces signal errors and avoids signal transmission problems and interference. It is always advisable to connect a DMX terminal. (Resistance 120 ohm 1/4W) between pin2(DMX-) and Pin3(DMX+) of the last fixture.**




1. Connect the fixture together in a "daisy chain" by XLR plug cable from the output of the fixture to the input of the next fixture. The cable cannot be branched or split to a "Y" cable. Inadequate or damaged cables, soldered joints or corroded connectors can easily distort the signal and shut down the system
2. The DMX output and input connectors are pass-through to maintain the DMX circuit when one of the units' power is disconnected.
3. At last fixture, the DMX cable has to be terminated with a terminator to reduce signal errors. Solder a 120-ohm 1/4W resistor between pin 2(DMX-) and pin 3(DMX+) into a 3-pin XLR-plug and plug it in the DMX-output of the last fixture.
4. Each lighting fixture needs to have an address set to receive the data sent by the controller. The address number is between 1-512 (usually 0 & 1 are equal to 1).

12A


### 4.3 DMX Controller

Use universal DMX controller to control the units, you have to set DMX address from 1 to 512 channel so that the units can receive DMX signal.

Press the **MENU** button up to when the **Addr** is showing on the display. Pressing **ENTER** button and the display will blink. Use **DOWN** and **UP** button to change the DMX512 address. Once the address has been selected, press and keep **ENTER** button pressed up to when the display stops blinking or storing automatically one minute later. To go back to the functions without any change press the **MENU** button again. If you use please refer to the following diagram to address your DMX512 channel for the first 4 units.

3 channels: 

### 5. DMX512 Configuration

DMX512 Configuration				
3-CH mode				
Ch1	Ch2	Ch3		
Dimmer	Effect	Color		
	000-009	Blackout	000-007	White
	010-120	Fast to slow Clockwise	008-127	Color1 Color2-5
	121-134	S topped	128-186	Fast to slow Clockwise
	135-245	Slow to Fast Anticlockwise	187-196	Stop
	246-255	S topped	197-255	Slow to fast Anticlockwise

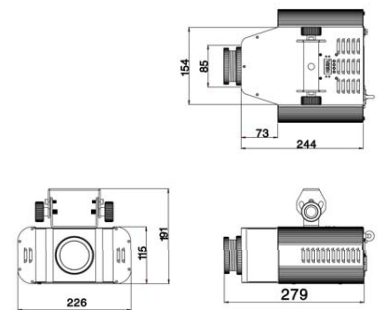
11A

- Do not allow children to operate the fixture.
- Do not touch any wire during operation as there might be a hazard of electric shock.
- Avoid power wires together around other cables.
- Disconnect mains power before fuse/lamp replacement or servicing.
- Replace fuse only with the same type.
- In the event of serious operating problem, stop using the unit immediately.
- Never turn on and off the unit time after time.
- The housing, the lenses, or the ultraviolet filter must be replaced if they are visibly damaged.
- Do not open the unit as there are no user serviceable parts inside.
- Never try to repair the unit by yourself. Repairs carried out by unskilled people can lead to damage or malfunction. Please contact the nearest authorized technical assistance center.
- Disconnect the mains power if the fixture is not used for a long time.
- Do use original packing materials once transport it again.
- Do not look directly at the LED light beam while the fixture is on.

For power supply, do not connect in series much more than 7 units, use another mains supply for next 7 units.

### 2. Technical Specifications

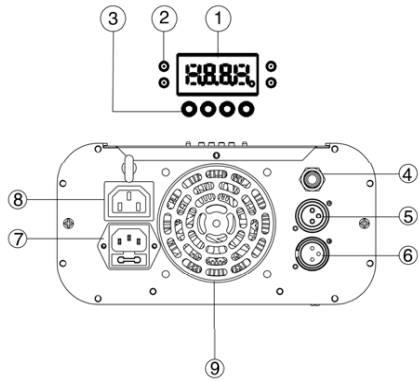
- **Voltage** : AC 100-240V~ 50/60Hz
- **LED**: 1X50W LED
- **Fuse**: T 6.3A
- **Power consumption** : 80 W
- **Dimension** : 279 x226 x 191 mm
- **Weight** : 4 kg/pcs



4A

### 3. How To Set The Fixture

#### 3.1 Control Panel



① **Display:** To show the various menus and the selected functions

② **LED:**

DMX	On	DMX input present
MASTER	On	Master Mode
SLAVE	On	Slave Mode
Sound	On	No function

③ **Button:**

MENU	To select the programming functions
DOWN	To go backward in the selected functions
UP	To go forward in the selected functions
ENTER	To confirm the selected functions

5A

### 4. How To Control The Unit

You can operate the unit in three ways:

1. By master/slave built-in preprogram function
2. By easy controller
3. By DMX controller

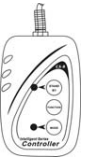
No need to turn the unit off when you change the DMX address, as new DMX address setting will be effected at once. Every time you turn the unit on, it will show "wav" on the display and move all the motors to their 'home' position. After that the unit will be ready to receive DMX signal or run the built in programs.

#### 4.1 Master/Slave Built In Preprogrammed Function

The fixture will allow you to link 2 fixtures together and operate without a controller. In Master/Slave mode, the first fixture whose DMX input jack has with nothing connect need to set as master and the other unit need to set as slave 1 via menu, then the first unit will control the other to give an automatic and synchronized light show. This function is good when you want an instant show. Any fixture can act as a Master or as a Slave.

#### 4.2. Easy Controller (by CA-8)

The easy remote control is used only in master/slave mode. By connecting to the 1/4" microphone jack of the first unit, you will find that the remote controller on the first unit will control all the other units for Stand by, Function and Mode selection



Blackout	To blackout all the fixture		
Function	Water wave speed:1-3	Hold and press for 3 seconds: 1. Clockwise/counterclockwise/color 2. choose color	Color speed:1-3
Mode	LED OFF	LED ON	LED blinking

10A

**URUP**(000-2555,clockwise/counterclockwise), or **0100**(125-255), press **ENTER** button to confirm and use **DOWN** and **UP** button to adjust the value, once select press **ENTER** button to setup or automatically exit menu mode without any change after one minute. To go back to the last function without any change press the **MENU** button.

**TEST** Self-test

Press the **MENU** button up to when the **TEST** is shown on the display, Pressing **ENTER** button to run the auto test. Back to the functions without any change press **MENU** button. Back to the functions without any change press **MENU** button.

**TEMP** Temperature Test

Press the **MENU** button up to when the **TEMP** is blinking on the display. Pressing **ENTER** button and the display will show the temperature of the unit. To go back to the functions press the **MENU** button again.

**Fhrs** Fixture Hours

Press the **MENU** button up to when the **Fhrs** is blinking on the display. Pressing **ENTER** button and the display will show the number of working hours of the unit. To go back to the functions press the **MENU** button.

**VER** Software version

Press the **MENU** button up to when the **VER** is showing on the display. Pressing **ENTER** button and the display will show the version of software of the unit. To go back to the functions press the **MENU** button again.

**RESET** Factory reset all channels

Press the **MENU** button up to when the **RESET** is shown on the display, press **ENTER** button to setup. Back to the functions without any change press **MENU** button.

- ④ **Only for remote control:** Connecting with CA-8/UC3 to control the unit for Stand by, Function and Mode function
- ⑤ **DMX output:** For DMX512 link, use 3-pin XLR plug cable to link the next unit
- ⑥ **DMX input:** For DMX512 link, use 3/5-pin XLR plug cable to input DMX signal
- ⑦ **Mains input:** Connect to supply mains power for the unit
- ⑧ **Mains output:** Connect and supply mains power for the other unit
- ⑨ **Cooling system:** for cooling down the unit

### 3.2 Installation

#### A. Product Items

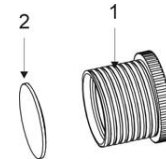
- User manual
- 60'lens

#### B. Mounting

You can install the unit on the truss or ceiling; Use clamps to fix the unit to truss. Always ensure that the unit is firmly fixed to avoid vibration and slipping while operating. Always ensure that the structure to which you are attaching the unit is secure. Also always use a safety cable that can hold 10 times of the weight of the unit when installing the fixture.

#### C. Replace the lens

You could replace the other lens if you want to, as following picture.

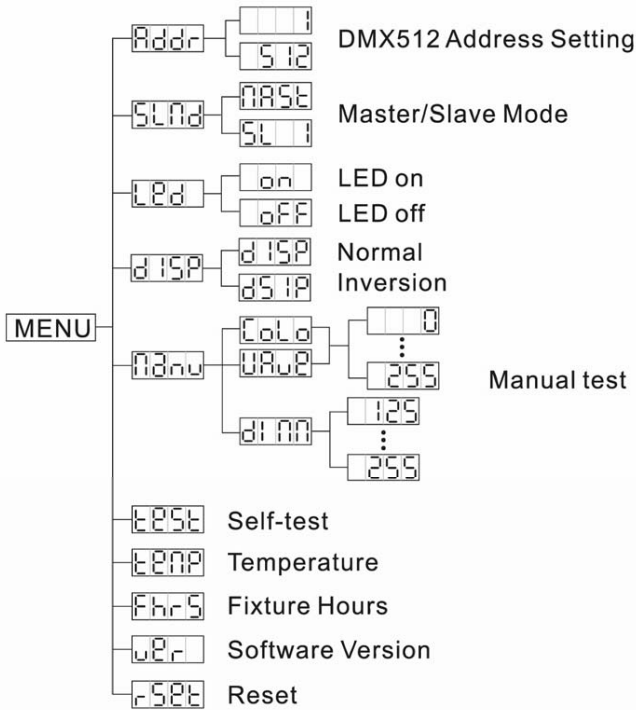


You should screw the lens roller to take it down as NO.1, and bring the lens out as No.2. Then you could replace the lens that you want to.

Notes: the lens roller has two slots for the lens; you should pay more attention that the latest slot is for the 34'lens, and the far slot is for 60'lens.

### 3.3 Main Function

To select any functions, press **MENU** button until the required one is shown on the display. Select the function by **ENTER** button and the display will blink. Use **DOWN** and **UP** button to change the mode. Once the required mode has been selected, press **ENTER** button to setup or it will automatically return to the main functions without any change after idling one minute. Back to the functions without any change press **MENU** button. The main functions are shown below:



#### Addr DMX 512 Address Setting

Press the **MENU** button up to when the **Addr** is shown on the display. Pressing **ENTER** button and the display will blink. Use **DOWN** and **UP** button to change the DMX 512 address. Once the address has been selected, press **ENTER** button to setup or automatically exit menu mode without any change after one minute. Back to the previous functions without any change press **MENU** button.

#### SLNd Slave Mode

Press the **MENU** button up to when the **SLNd** is showing on the display. Pressing **ENTER** button and the display will blink. Use **DOWN** and **UP** button to select the **MASE** (set the fixture as master) or **SLV** (set the fixture as slave). Once the mode has been selected, press the **ENTER** button to setup or automatically return to the main functions without any change after one minute. To go back to the functions without any change press the **MENU** button again.

#### dISP Display Inverse

Press **MENU** button until **dISP** is blinking on the display. Use **DOWN** and **UP** button to select **dISP** (display normal) or **dSIP** (display inverse), press **ENTER** button to setup.

#### LED LED display

Press the **MENU** button up to when the **LED** is shown on the display. Pressing **ENTER** button and the display will blink. Use **DOWN** and **UP** button to select **on** (display always on) or **off** (display off 20 seconds after exit menu) mode. Once select, press **ENTER** button to setup or exit menu mode without any change after one minute. Back to the functions without any change press **MENU** button again.

#### nDnu Manual setting color

Press the **MENU** button up to when the **nDnu** is shown on the display. Pressing **ENTER** button, and use **DOWN** and **UP** button to select **CoLo** (0-255) or